

## Vision with Precision for HD Security

Sony introduces two powerful additions to its network HD Camera lineup, the SNC-CH140 and SNC-DH140. These dual-stream network HD cameras, supporting H.264, MPEG-4, and JPEG compression formats, deliver excellent picture quality in HD resolution\*1 at 30 fps.

Incorporating the new "Exmor™" CMOS image sensor from Sony, which is specially designed for security, plus state-of-the-art image-enhancement technologies such as View-DR, Visibility Enhancer, and XDNR, these cameras can provide high-quality HD images with excellent sensitivity even under challenging lighting environments.

As a result, the SNC-CH140 Fixed Network Camera and the SNC-DH140 Mini Dome Network Camera are the ideal choice for even the most demanding surveillance monitoring applications.



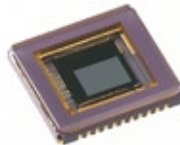
### Network HD Cameras

## SNC-CH140/DH140

Preliminary

### FEATURES

- Superior HD\*1 picture quality, supporting H.264 at 30 fps **HD**
- Three codecs (JPEG/MPEG-4/H.264) and dual encoding
- The new "Exmor" CMOS sensor realizes high image quality and high sensitivity for surveillance  
**Exmor™**
- **Easy Focus function/Easy Zoom function\*2**
- DEPA Advanced - Intelligent Video and Audio Analytics - trigger an alarm based on user-defined rules.
  - ▶ Intelligent Motion Detection
  - ▶ Tamper Alarm
  - ▶ Advanced Audio Detection
- Power over Ethernet (PoE) capability
- CF slot for on-board recording – allows streaming of locally stored data using RTP/RTCP protocol for backup purposes or post-recording reviews\*3
- ONVIF Conformance **ONVIF** (Open Network Video Interface Forum)



### Drastic Improvement of Visibility

- Superior dynamic range using newly developed View-DR (Visibility enhanced wide Dynamic Range)  
**View-DR**



Actual Images

- XDNR (eXcellent Dynamic Noise Reduction) for clear images without motion blur under low illumination



OFF

ON

Actual Images

\*1 1280 x 720

\*2 Easy Zoom function is available with the SNC-DH140 only

\*3 Available with the SNC-CH140 only

Connect Your Vision

**IPELA™**

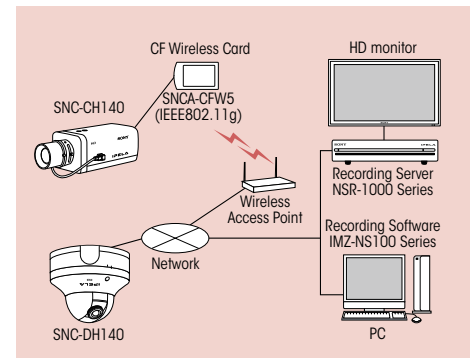
## SPECIFICATIONS

	SNC-CH140	SNC-DH140
<b>Camera</b>		
Image device	1/3 type progressive scan CMOS	
Day/Night*1	Yes	
View-DR*2	Yes	
Visibility Enhancer	Yes	
XDNR	Yes	
Number of effective pixels (H x V)	Approx. 1.3 Megapixel	
Electronic shutter speed	1s to 1/10000s	
Auto gain control	Max gain setting LOW, MID, HIGH	
Exposure control	Auto, EV Compensation*3, Auto Slow Shutter*4	
White balance mode	Auto(ATW, ATW-Pro), Preset, One-push WB, Manual	
Lens type	CS Mount lens	Vari-focal lens
Zoom ratio	Approx. 2.7X	Approx. 2.9X
Horizontal viewing angle	34 to 89 degrees	31 to 87 degrees
Focal length	f=3.0 to 8.0mm	f=3.1 to 8.9mm
F-number	F1.2 (wide), F1.9 (tele)	F1.2 (Wide), F2.1 (Tele)
Easy Focus	Yes	
Easy Zoom	No	Yes
<b>Image</b>		
Codec image size (H x V)	1280 x 1024, 1280 x 800, 1280 x 720, 1024 x 768, 1024 x 576, 800 x 480, 768 x 576, 640 x 480, 640x 368, 384 x 288, 320 x 240, 320 x 192	
Video compression format	H.264, MPEG-4, JPEG	
Maximum frame rate	H264/MPEG-4: 30 fps (1280 x 720) JPEG: TBD (1280 x 720)	
<b>Audio</b>		
Audio compression	G.711/G.726	
<b>Scene analytics</b>		
Intelligent motion detection	Yes (with built-in Post Filter)	
Intelligent object detection	No	
<b>Network</b>		
Protocols	IPv4, IPv6, TCP, UDP, ARP, ICMP, IGMP, HTTP, HTTPS, FTP (client/server), SMTP, DHCP, DNS, NTP, RTP/RTCP, RTSP, SNMP (MIB-2)	
Wireless network	Yes (with optional*5)	No
Number of clients	10	
Authentication	IEEE802.1X	
<b>Analog video output</b>		
Signal system	NTSC/PAL	
S/N ratio	more than 50 dB	
<b>Interface</b>		
Ethernet	10BASE-T / 100BASE-TX (RJ-45)	
Serial interface	No	
Card slots	CF card x1	No
Analog video output	Composite video (1Vp-p)	
Sensor input	x 1	
Alarm output	x 2	
External microphone input	Mini-jack (monaural), MIC IN/LINE IN: 2.47VDC plug-in power	
Audio line output	Mini-jack (monaural), Max output level: 1 Vrms	
<b>General</b>		
Mass	Approx. 700 g (1 lb 9 oz)	Approx. 900 g (1 lb 16 oz)
Dimensions (W x H x D) (ø x H)	72 x 63 x 145 mm (2 7/8 x 2 1/2 x 5 3/4 inches)	140 x 118 mm (5 5/8 x 4 3/4 inches)
Power requirements	PoE, AC24V, DC12V	
Power consumption	10 W max.	
Operating temperature	-10 to +50 °C*6	
Storage temperature	-20 to +60 °C	
<b>System requirements</b>		
Operating system	Windows XP, Windows Vista	
Processor	Intel Core2 Duo 2GHz or higher	
Memory	1GB or more	
Web browser	Microsoft Internet Explorer Ver6.0, Ver7.0	

\*1 Removable IR Cut Filter \*2 New Wide-D algorithm plus Visibility Enhancer with "Exmor" CMOS sensor \*3 Visibility Enhancer off mode only \*4 View-DR off mode only  
\*5 With optional SNCA-CFW5 \*6 Cold start temperature must be greater than 0°C

This product includes software developed by the OpenSSL Project for use in the OpenSSL Toolkit. (<http://www.openssl.org/>)

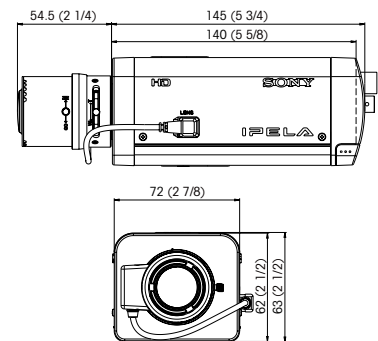
## SYSTEM CONFIGURATIONS



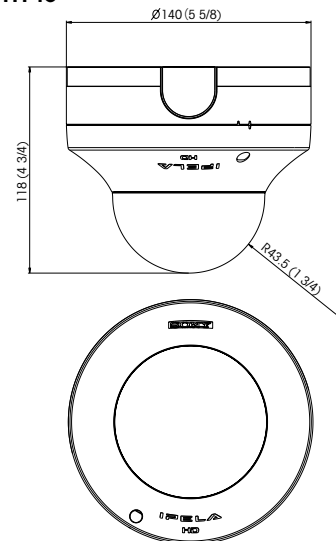
## DIMENSIONS

Unit: mm (inches)

### SNC-CH140



### SNC-DH140



## Distributed by

© 2009 Sony Corporation. All rights reserved.  
 Reproduction in whole or in part without written permissions is prohibited.  
 Features and specifications are subject to change without notice.  
 All non-metric weights and measurements are approximate.  
 Sony is a registered trademark of Sony Corporation.  
 IPELA, DEPA Advanced, and "Exmor" are the trademarks of Sony Corporation.  
 All other trademarks are the property of their respective owners.