



S05, R05, ICC05, STRAP

Bases & accessories



S05SE

Base for SD3 05 range of detectors.

Dimensions: 122 (∅) x 22(h)mm	Weight: 100g
Material: ABS	Cable type: max 1,5mm ²

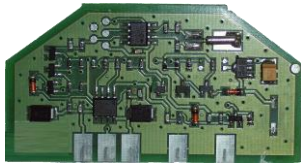


R05.

Plug-in relay board for 05 detectors, to be plugged in S05 base.

R05 operate a relays 30V/2A to monitor external modules. It provides 1 Normally Closed output (NC) and 1 Normally Opened (NO) output. Both outputs are free of voltage.

Weight: 150g	Supply: 10Vdc to 28Vdc Nominal: 24V
Dimension: 64 x 34 x 1.6 mm	Consumption: 100 µA on standby. 12mA on activation.
Material: Epoxy glass. Electronic board to be inserted on base	Contacts rating: Free of voltage. 2A, 30V on resistive load.



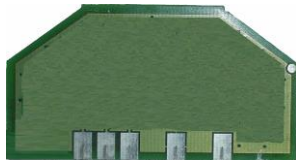
ICC05

Plug in isolator board for 05 detectors, to be plugged in S05 base.

Makes possible the isolation of sections in short-circuit located between two isolators.

For lines connected in loop, 1 ICC05 (or any other type of isolator) must be connected every 32 points.

Weight: 140g	Supply: 15Vdc to 28Vdc Nominal: 23Vdc
Dimension: 64 x 34 x 1.6 mm	Consumption: 150 µA on standby 350 µA on activation (open status)
Material: Epoxy glass. Electronic board to be inserted on base	Operating temperature: -30°C to +55°C



STRAP

Plug in additional board to allow the connection of cable with diameter higher to 1,5mm². To be plugged in S05 board.

STRAP circuit board is no more than a circuit allowing to short circuit pin 1 and 3 of the S05 base in which it is plugged in. Thus 2 cable input of diameter superior to 1,5 mm² can be connected on the base.

Weight: 120g	Material: Epoxy glass. Electronic board to be inserted on base
Dimension: 64 x 34 x 1.6 mm	Operating temperature: -30° to +55°C

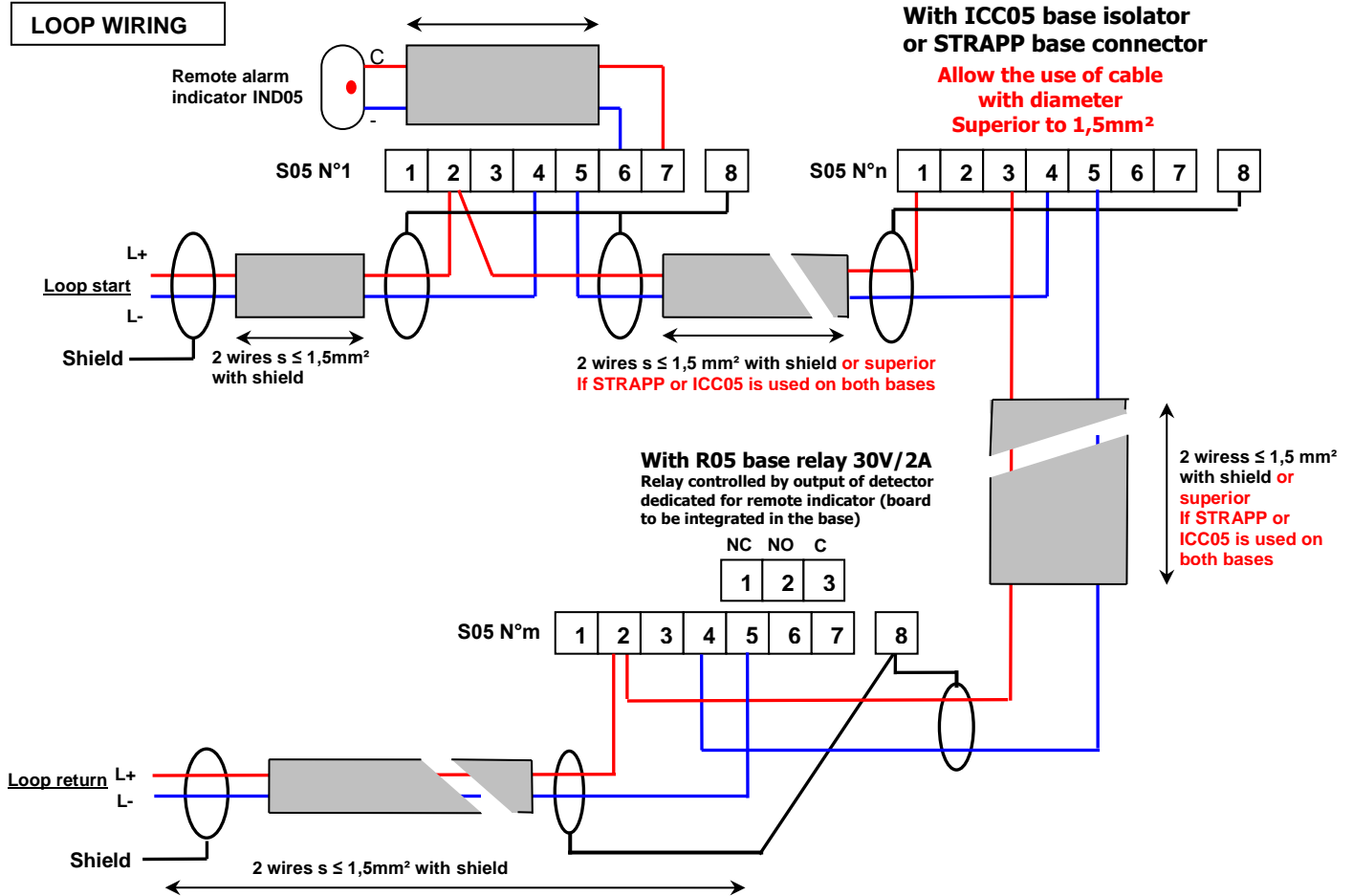




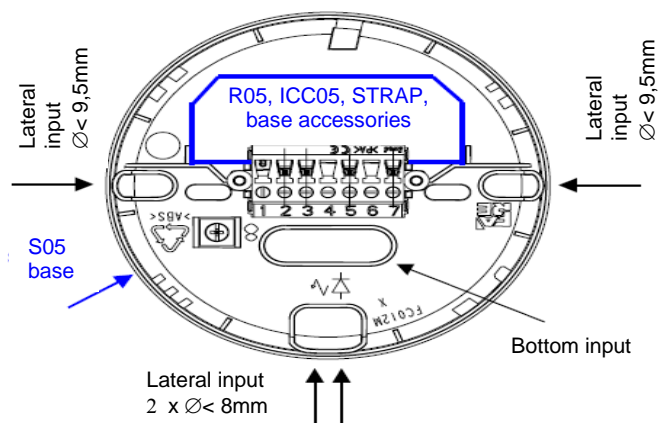
S05, R05, ICC05, STRAP

Bases & accessories

LOOP WIRING



INSTALLATION OVERVIEW



REFERENCE

S05
 R05
 ICC05
 STRAPP

DESCRIPTION

Universal base for 05-range conventional and addressable detectors
 Plug in relay contact circuit (12V or 24V) for 05 detectors (to be plugged in S05)
 Plug in isolator board for 05 detectors
 Plug in additional board to allow the connection of cable with diameter higher to 1,5mm².

