

Intelligent Video Server



Features

- Support 2@D1 real-time encoding
- Supported intelligent function includes tripwire, intrude warning zone, perimeter, loitering, abnormal video, etc.
- Fixed box-camera & PTZ speed dome master-slave tracking, support auto tracking & manual tracking, support distinguish of person & vehicle
- H.264 standard compression, high compression ratio
- Alarm snapshot storage in SD card
- Support bi-directional talking
- Support digital zoom in preview & playback
- Restore default configuration with one click
- Support alarm in/out, RS485, RS232

Technical Specifications

Model	IVS-M3002
System	
Main Processor	High performance industrial embedded processor
Operating System	Embedded Linux
System Resource	Multi-operation, multi-channel sync record, sync playback, sync network operation
Operating UI	Support web configuration & operation
Intelligent Analysis	
Behavioral Analysis	Tripwire, intrude warning zone, perimeter, loitering, fast moving
Master-slave Tracking	Tracking mode: alarm tracking, auto-object tracking, mix tracking, select point tracking, slave self tracking, select object tracking
Abnormal Video	Scene changing detection
Performance Parameter	
Min Object Size	10×10 pixels @ CIF
Response Time	Tripwire, intrude warning zone, perimeter, loitering: <1s Fast moving, scene change: 1s
Successful Detection Ratio	Tripwire, intrude warning zone, perimeter, loitering, scene change: >90% Fast moving: >85%
Video Parameter	
Compression Standard	H.264
Video Format	PAL、NTSC D1/Half-D1/2CIF/CIF Dual stream supported
Audio Parameter	
Compression Standard	G.711
Bi-directional Talk	Support
Record	
Record Method	2.5" HDD for snapshot
Video	
Video Input	2-ch analog video input
Audio	
Audio Input	2-ch, 200mV~2000mV, 10K Ω
Alarm	
Alarm Input	4-ch alarm input, low level activated
Alarm Output	2 relay out (1A@30VDC), NO/NC optional
Other	
Network	1 RJ45, 100M/1000M self-adaptive
Communication	1 half-duplex RS485, 1 RS232
SD Card	1
Power Supply	DC +12V / AC +24V

IVS-M3002

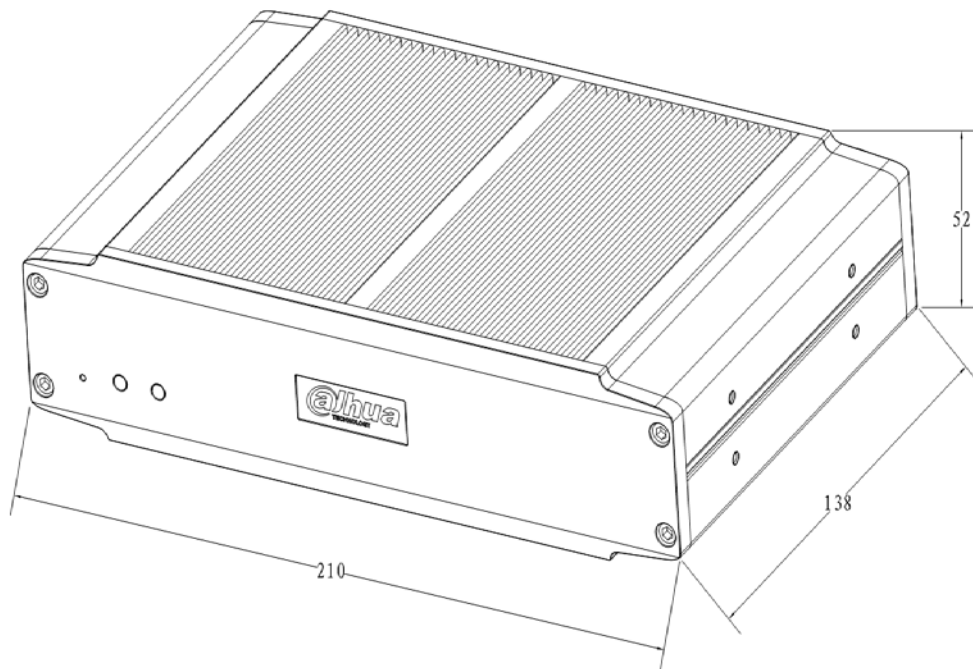


Power Dissipation	24W
Working Temperature	-30°C ~ +70°C
Working Humidity	20% ~ 90%
Dimension	210mm * 138mm * 52 mm

IVS-M3002



Dimensions (mm)



Accessories

Speed Dome	NTSC format : SD6366EN-H-DC
	PAL format : SD6366E-H-DC
Fixed Camera	700TVL 5~10m IR Water-proof PAL format: CA-FW480CP-IR0-0360B (lens 3.6mm)
	700TVL 5~10m IR Water-proof NTSC format: CA-FW480CN-IR0-0360 (lens 3.6mm)
Mounting Bracket	Intelligent integrated bracket

Dahua Technology Co., Ltd.

1187 BinAn Road, Binjiang District, Hangzhou, China

Tel: +86-571-87688883

Fax: +86-571-87688815

Email: overseas@dahuatech.com

www.dahuasecurity.com

*Design and specifications are subject to change without notice.

© 2013Dahua Technology