



# BTG05

## Air duct detector housing

**BTG05** is an analysis chamber equipped with analogue or conventional detector for the control of the **air ducts**.

**BTG05** withdraws the air circulating through the duct (Pitot tube principle) and carries out an **analysis** of the protected local through its optical smoke sensor.


The **BTG05** is adapted for an air circulation speed comprised between **1m/s and 10 m/s**.

For ducts equipped with **filter**, it is necessary to make sure that the particles attended to be analysed by **BTG05** are not filtered (**approximately 1 µm**).

**BTG05** has a specific version for both **analogue** and **conventional** fire detection systems.

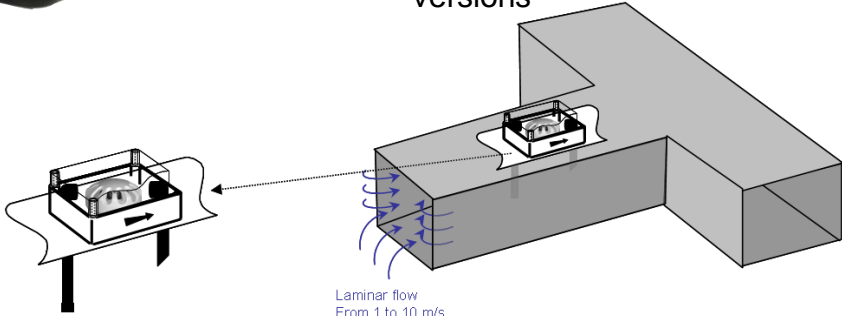
**Size of the ducts supported by BTG05:**

- **Rectangular shape:** 350mm < length < 500mm  
200mm < width < 500mm
- **Square shape** : 350mm < side < 500mm
- **Circle shape** : 330mm < diameter < 500mm



### Main characteristics

- Tyndall effect (detector)
- Pitot tube principle (aspiration)
- Analogue and conventional versions



Laminar flow  
From 1 to 10 m/s

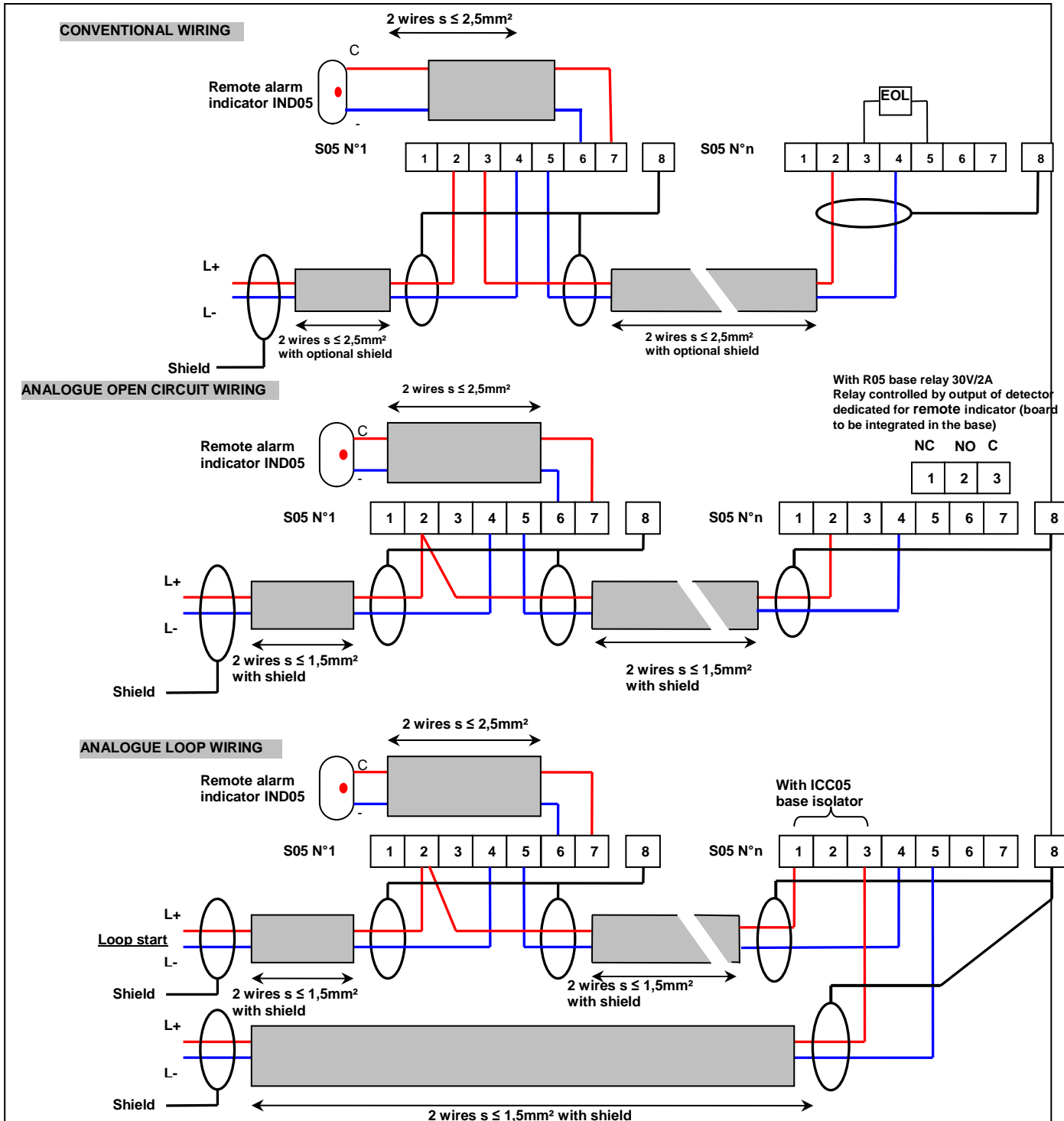
<b>Electric specifications</b>		
	<b>Conventional version</b>	<b>Analogue version</b>
Main supply voltage	13Vdc to 27 Vdc	12Vdc to 28 Vdc
Nominal main supply voltage	20 Vdc	24 Vdc
Quiescent current (20 Vdc)	25µA	140µA without base isolator / 240µA with base isolator
Alarm current (20 Vdc)	32mA	5mA
1 programmable open collector	No	40V/100mA
1 programmable address	No	Yes
1 Alarm activated open collector	40V/100mA	
<b>Mechanical characteristics</b>		
Unit weight	0,560 Kg	
Total unit dimensions	300 x 150 x 300 mm	
Unit colour	Soft Gray (transparent cover)	
Protection class	IP55	
<b>Climatic characteristics</b>		
Operating temperature	-10°C to +60°C	
Storage temperature	+10°C to +50°C	
Operating relative humidity	≤ 93%	
Storage relative humidity	≤ 85%	





# BTG05

## Air duct detector housing



**REFERENCE**

BTG05

OC05+S05

OA05+S05

OC05.12+S05

**ACCESSORIES**

IND05

**DESCRIPTION**

Conventional/analogue air duct detector chamber (without detector)

Conventional optical smoke detector

Interactive optical smoke detector

Conventional optical smoke detector for 12V security type systems

Remote alarm indicator for conventional 05 range

