

16V COMBI

ROOF ANTENNA

AVAILABLE VERSIONS

P/N: 7771000 - COMBI VHF

P/N: 7771001 - COMBI UHF

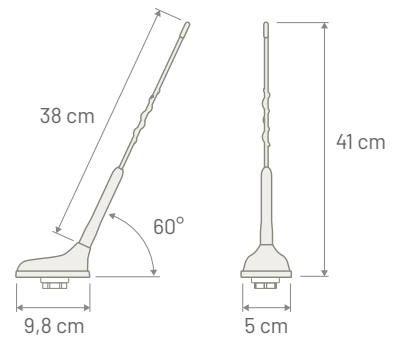
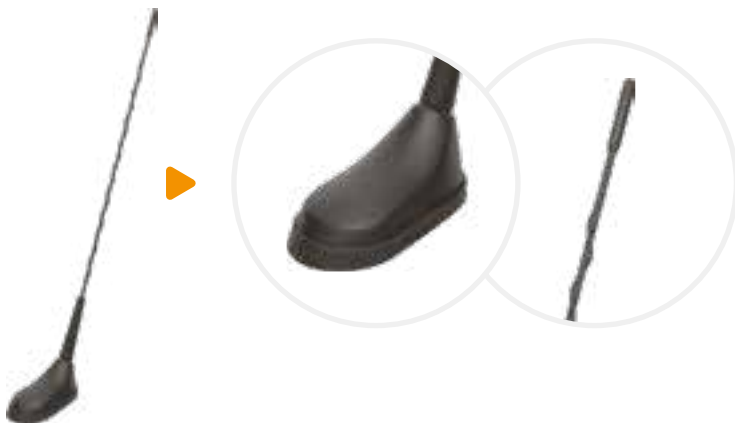
VHF	UHF	GNSS
•		•
	•	•

TECHNICAL SPECIFICATION

	VHF	UHF	GNSS
Antenna connector	FAKRA Male Green	FAKRA Male Green	FAKRA Male Blue
Antenna cable type	RG 174	RG 174	RG 174
Antenna cable lenght	250 mm	200 mm	250 mm
Extension cable type	RG 58	RG 58	RG 174
Extension cable lenght	5000 mm	5000 mm	5000 mm
Extension cable connectors	FAKRA Female Green - FME Female	FAKRA Female Green - FME Female	FAKRA Female Blue - SMB Female
Power supply	--	--	3 - 5 Volt
Consumption	--	--	45 mA max
Impedance	50 Ω	50 Ω	50 Ω
Gain	-1 dBi	0 dBi	30 dBi
VSWR	1,5:1	2,1:1	1,5:1
Max Power	20 Watt	20 Watt	--
Rod Lenght	380 mm	265 mm	--
Rod Type	Antinoise	Smooth	--
Rod Thread	M6	Mounting	On roof
Base Angle	60 degree	Coachwork drilling	Square: 15 x 15 mm - Round: 19 mm
Protection Class	IP64	Note	

P/N 7771000 - Combi VHF

Dimensions



P/N 7771001 - Combi UHF

Dimensions

