

**FLEXI** SPHERIC BASE

ROOF / PILLAR

	CONNECTOR	CABLE TYPE	CABLE LENGHT
P/N: 7667012 - RADIO DAB READY	DIN Male	RG 58	2500 mm
P/N: 7667013 - RADIO DAB READY	DIN Male	RG 58	1500 mm

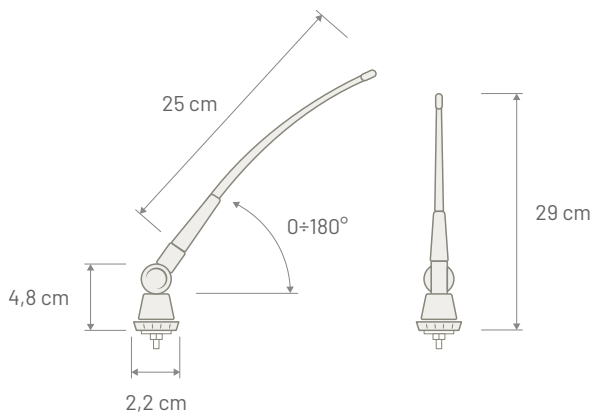
TECHNICAL SPECIFICATION

	AM / FM
Impedance	50 Ω
Gain	--
Rod Lenght	240 mm
Rod Thread	M6
Rod Type	Rubber - High flessibility - Heavy duty
Protection Class	IP68
Coachwork drilling	Round 9 mm

Note To enable DAB reception an Active or Passive Splitter is needed (see SERVICE BOX chapter)



**Dimensions**



**Coachwork Drilling**

